



CERTIFICATION EUROPE  
**CE**

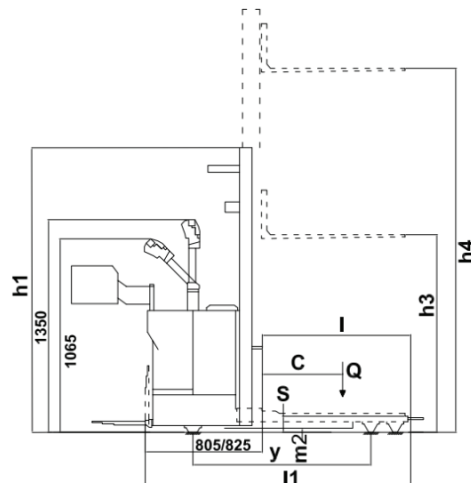
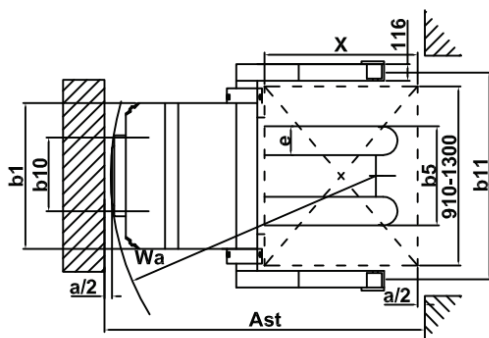
**MGA-ES-1.0T/MGA-ES-1.5T  
 MGA-ES-2.0T  
 STACKER FORKLIFT**

Advanced Ergonomical Design  
 Equipped with DC motor or AC motor  
 Wide View Mast



CURTIS AC CONTROLLER  
 (MADE IN USA)

	MGA-ES-1.0T	MGA-ES-1.5T	MGA-ES-2.0T
■ POWER TYPE	ELECTRIC	ELECTRIC	ELECTRIC
■ RATED CAPACITY (KG)	1000	1500	2000
■ BATTERY (V/AH)	24/200	24/240	24/240



MODEL	MGA-ES-1.0T	MGA-ES-1.5T	MGA-ES-2.0T
Power type	Electric	Electric	Electric
Capacity (Kg)	1000	1500	2000
Load centre (mm)	500	500	500
Load distance,centre of drive axle to fork x (mm)	880	880	880
Fork height,lowered h13 (mm)	90	90	90
Wheelbase y (mm)	1400	1400	1400
Axle loading, laden front/rear (kg)	914/966	914/966	1150/1800
Axle loading, unladen front/rear (kg)	676/204	676/204	710/240
Tyres	Polyurethane	Polyurethane	Polyurethane
Tyre size, front (mm)	Φ250x80	Φ250x80	Φ250x80
Tyre size, rear (mm)	Φ80x70	Φ80x70	Φ80x70
Tread, front b10(mm)	626	626	626
Tread, rear b11(mm)	410	410	410
Height,mast lowered h1(mm)	2087/1837/2087/ 2237/2337	2087/1837/2087/ 2237/2337	2087/1837/2087
Max. lift height h3(mm)	1600/2500/3000/ 3300/3500	1600/2500/3000/ 3300/3500	1600/2500/3000
Height,mast extended h4(mm)	2087/3087/3587/ 3887/4087	2087/3087/3587/ 3887/4087	2087/3087/3587
Height of tiller in drive position min./max. h14(mm)	1065/1350	1065/1350	1065/1350
Overall length l1(mm)	1955	1955	1955
Length to face of forks l2(mm)	885	885	885
Overall width b1(mm)	780	780	780
Fork dimensions s/e/l(mm)	60/170/1070	60/170/1070	60/170/1070
Width overall forks b5(mm)	580/695	580/695	580/695
Ground clearance,centre of wheelbase m2(mm)	21	21	21
Aisle width for pallets 1000x1200 crossways Ast(mm)	2551	2551	2551
Aisle width for pallets 800x1200 lengthways Ast(mm)	2493	2493	2493
Turning radius Wa(mm)	1730	1730	1730
Travel speed,laden/unladen km/h	4/5	4/5	4/5
Lift speed,laden/unladen m/s	0.08/0.1	0.08/0.1	0.08/0.1
Lowering speed,laden/unladen m/s	0.15/0.12	0.15/0.12	0.15/0.12
Gradeability,laden/unladen %	6/10	6/10	6/10
Service brake	Electromagnetic	Electromagnetic	Electromagnetic
Battery voltage,nominal capacityV/Ah	24/200	24/240	24/240
Travelling motor (Kw)	0.75	0.75	0.9
Hydraulic motor (Kw)	2.2	2.2	3.0
Service weight (Kg)	880	940	950

### MGA FORKLIFT INC. (USA)

Address: 8450 Garvey Avenue Suite 230, Rosemead, CA91770, USA.  
 Web: [www.mgaforklift.com](http://www.mgaforklift.com) Mail: [sales@mgaforklift.com](mailto:sales@mgaforklift.com)

### FACTORY: MGA VIETNAM CO., LTD.

Address: 1/2/5 Giang Van Minh, An Phu Ward, District 2, HCMC, Vietnam  
 Tel: (+84-8) 3519 4286-87-88 Fax: (+84-8) 3519 4289  
 Web: [www.mgavietnam.com](http://www.mgavietnam.com) Mail: [sales@mgavietnam.com](mailto:sales@mgavietnam.com)

**For more information on our products, please visit**

### MGA HEAVY MACHINERY ASIA PTE LTD (SINGAPORE)

Address: 50 Tagore Lane #05-07 Entrepreneur Centre Singapore 787494  
 Tel: (+65) 6511 4583 Fax: (+65) 6511 2969  
 Web: [www.mgahmasia.com](http://www.mgahmasia.com) Mail: [sales@mgahmasia.com](mailto:sales@mgahmasia.com)

Specifications and design are subject to change without prior notice.  
 Machines shown may not include optional accessories.